

CRIS - Cerenkov Radiation Inspection System Spent Nuclear Fuel Imaging System

The CRIS is designed to view Cerenkov light produced by fuel assemblies that are stored in water ponds. It uses an image intensifier designed to amplify the ultra-violet (UV) portion of the Cerenkov light generated by spent nuclear fuel. This instrument is only sensitive to the 290-340 nm region of the spectrum, allowing it to be used under most normal lighting conditions found in a spent fuel pond.

Features:

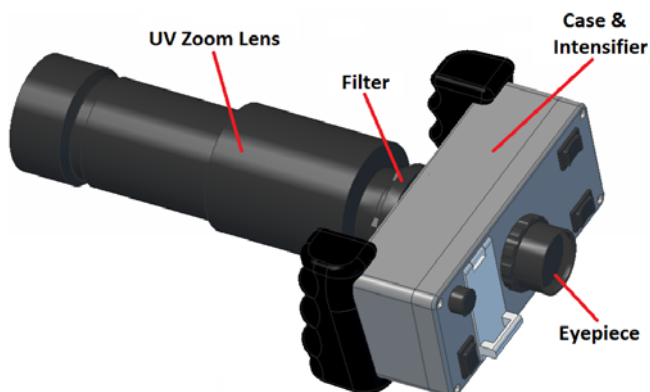
- High sensitivity image intensifier
- User selectable gain
- Front side LED to aid in locating fuel assemblies
- Battery operation for up to a week on a single set of batteries

Applications:

- Verification of spent nuclear fuel
- Identification of irradiated items and non-irradiated items

Instrument Includes:

- UV zoom lens, UV bandpass filter, intensifier, eyepiece, and transport case



See what
you've
been missing...

Product Information, Application and Tech Support at www.channelsystems.ca